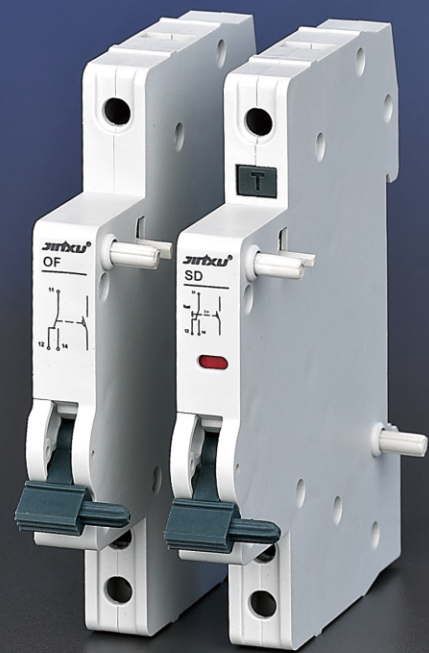




Accessory series

OF/SD/MX/MV+MN



www.jinxu.cc

OF Series Auxiliary contact



General Description

OF auxiliary contact is suitable for AC 50Hz, rated voltage to 230V or rated DC voltage to 110V line, it is assembled with mini circuit breaker, to provide long distance circuit breaker on and off signal indication.
Standard: IEC 60947-5-1.

Technical Data

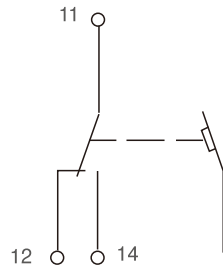
Technical parameter item		Parameter values
AC-15	Rated operating voltage	AC230V
	Rated working current	6A
DC-13	Rated operating voltage	DC110V
	Rated working current	1A
Mechanical life		Mechanical life not less than 10000 times

Normal working conditions and installation conditions

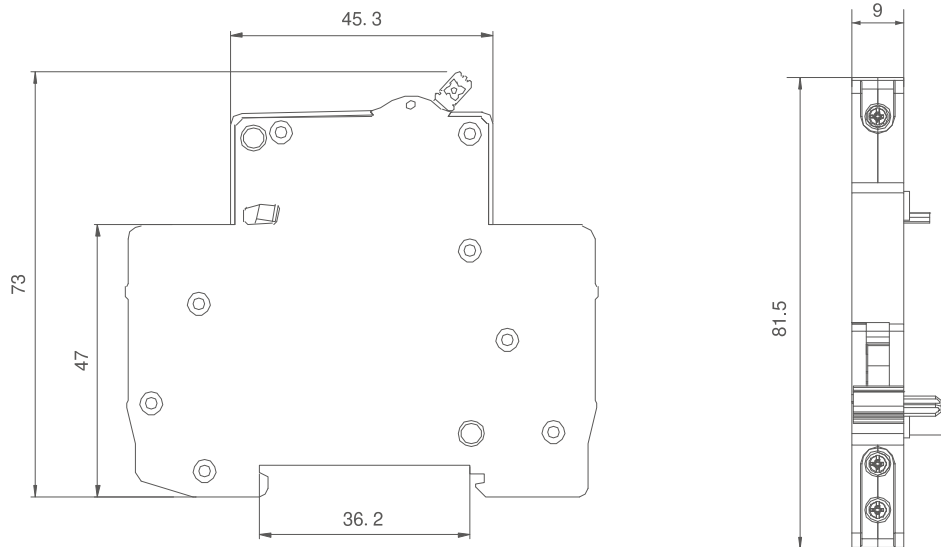
Ambient temperature: $-5^{\circ}\text{C}\sim 40^{\circ}\text{C}$

Relative humidity: $\leq 90\%/25^{\circ}\text{C}$, $\leq 50\%/40^{\circ}\text{C}$

The altitude of the installation site shall not exceed 2000m



Installation & Operation



SD Series Alarm contact

General Description

SD auxiliary contact is suitable for AC 50Hz, rated voltage to 230V or rated DC voltage to 110V line, it is assembled with mini circuit breaker, to provide long distance circuit breaker on and off signal indication.

Standard: IEC 60947-5-1



Technical Data

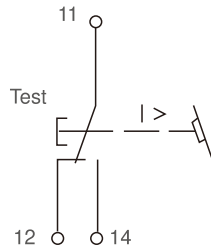
Technical parameter item	Parameter values	
AC-15	Rated operating voltage	AC230V
	Rated working current	6A
DC-13	Rated operating voltage	DC110V
	Rated working current	1A
Mechanical life	Mechanical life not less than 10000 times	

Normal working conditions and installation conditions

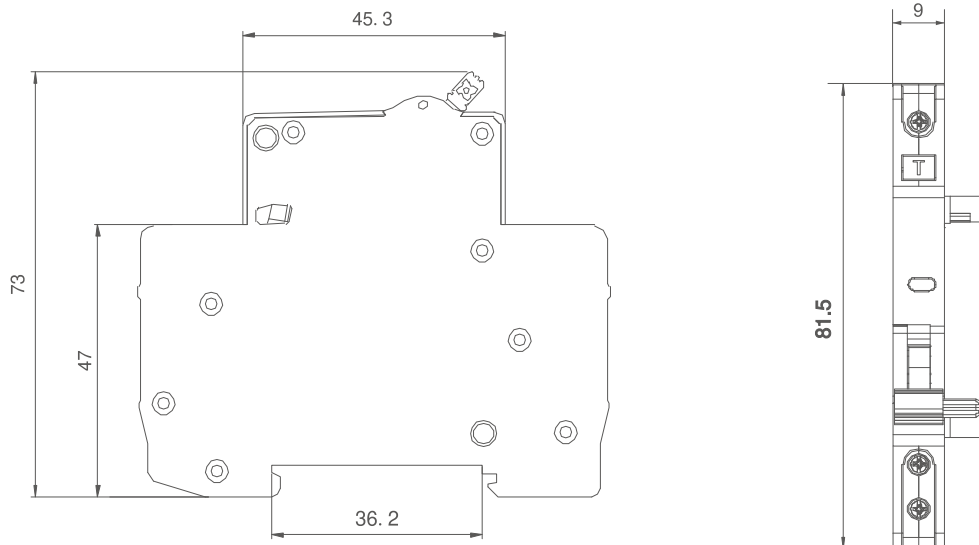
Ambient temperature: -5°C~40°C

Relative humidity: ≤90%/25°C, ≤50%/40°C

The altitude of the installation site shall not exceed 2000m



Installation & Operation



MX Series Shunt tripping device

General Description

MX shunt trip is mainly used for AC 50Hz, rated operating voltage of 230V line and combine with MCB for long distance shunt trip operation.
Standard: IEC60947-5-1.

MV+MN over and under voltage release device is mainly used for over and under voltage protection with mini circuit breakers in lines of AC 50Hz and rated working voltage of 230V.
Standard: IEC60947-5-1.



Technical Data

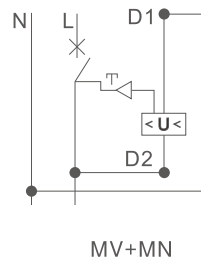
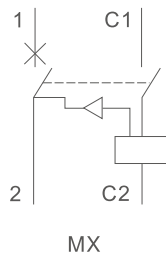
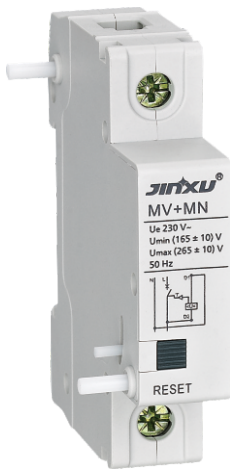
Technical parameter item	Parameter values	
Type	MX	MV+MN
Rated control voltage U_s	AC 230V 50Hz	
Rated insulation voltage U_i	415V	
Action characteristic	(70%~110%) U_s , the tripper can operate reliably	175V to 255V, the circuit breaker should be able to work for a long time 265V±10V and above, action 165V±10V and below, action
life	Life is not less than 4000 cycles	Electrical life is not less than 4000 cycles

Normal working conditions and installation conditions

Ambient temperature: -5°C~40°C

Relative humidity: ≤90%/25°C, ≤50%/40°C

The altitude of the installation site shall not exceed 2000m



Installation & Operation

